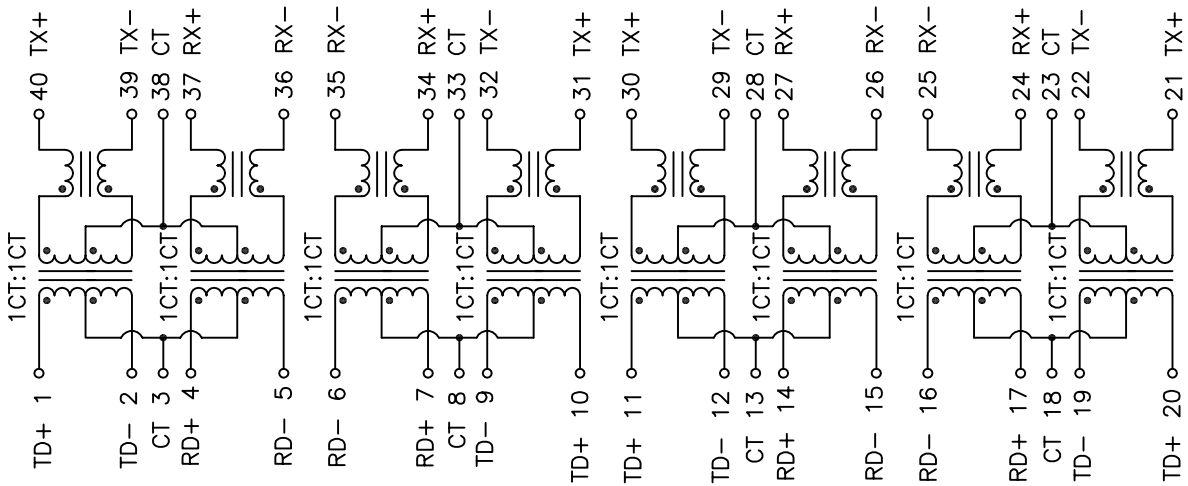


HY604009

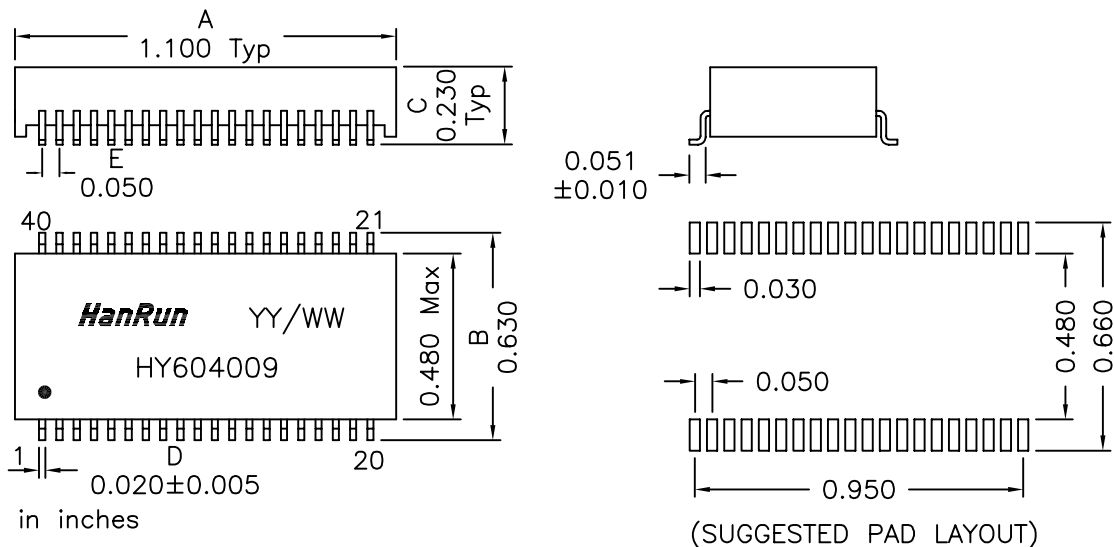
Electrical Specification @25°C

- RoHS Compliant (PB Free)
- Operating Temperature Range: 0°C ~ +70°C
- Isolation: 1500Vrms (Primary to Secondary)
- OCL: 350uH Minimum @100KHz 100mV with 8mA DC
- Insertion Loss: -1.0dB Maximum @100KHz ~ 100MHz
- Return Loss: -18dB Minimum @2MHz ~ 30MHz / -14.4dB Minimum @40MHz
-13.1dB Minimum @50MHz / -12dB Minimum @60MHz ~ 80MHz
- Different to Common Mode Rejection: -37dB Minimum @1MHz ~ 60MHz
-25dB Minimum @60MHz ~ 200MHz
- Crosstalk: -50dB Typical @1MHz ~ 30MHz / -35dB Typical @60MHz ~ 100MHz

Schematics



Mechanical Dimensions



Dimensions in inches

Unless otherwise specified, Tolerance: .xxx ±0.010

REV.A